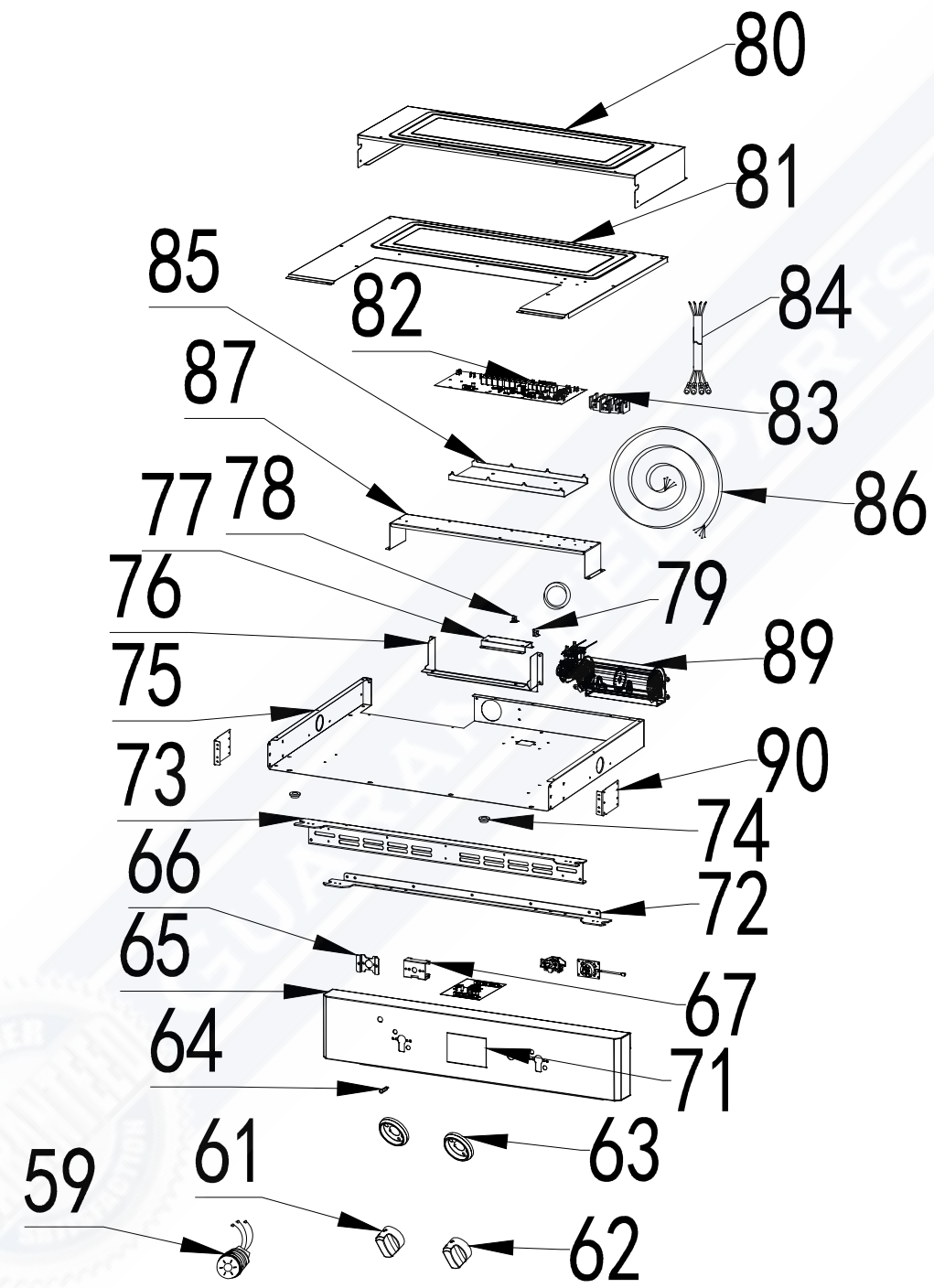
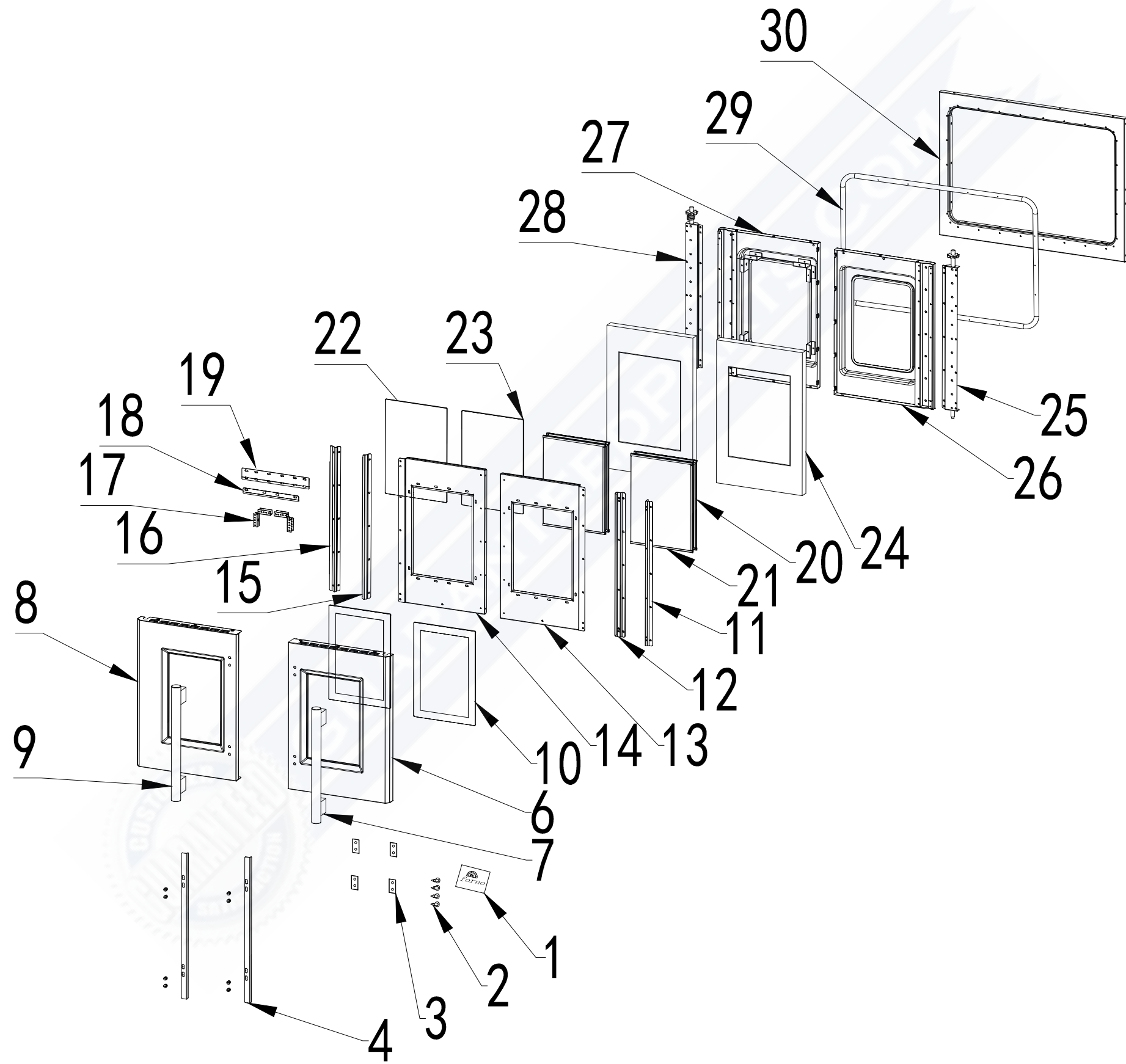


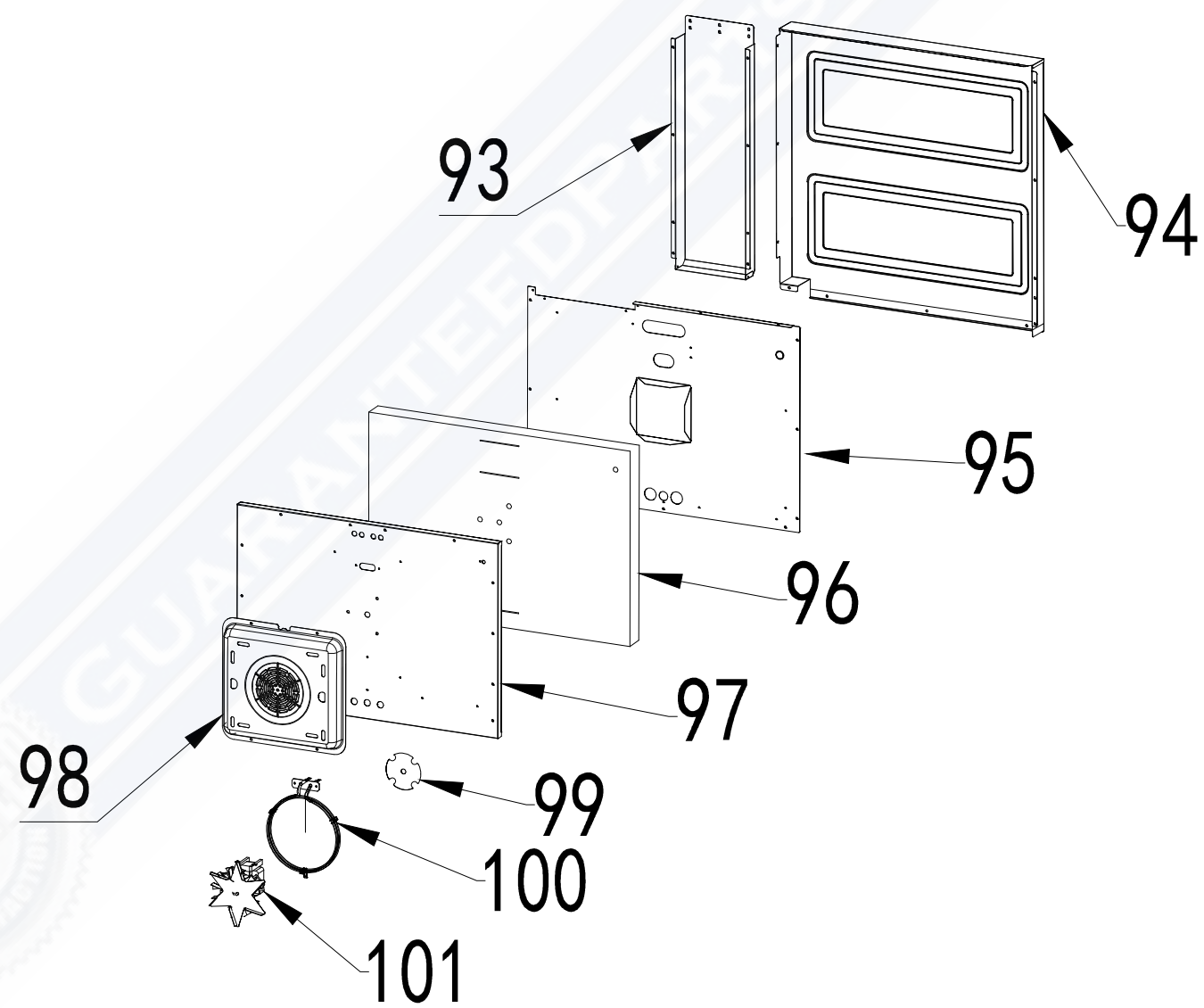
Control section



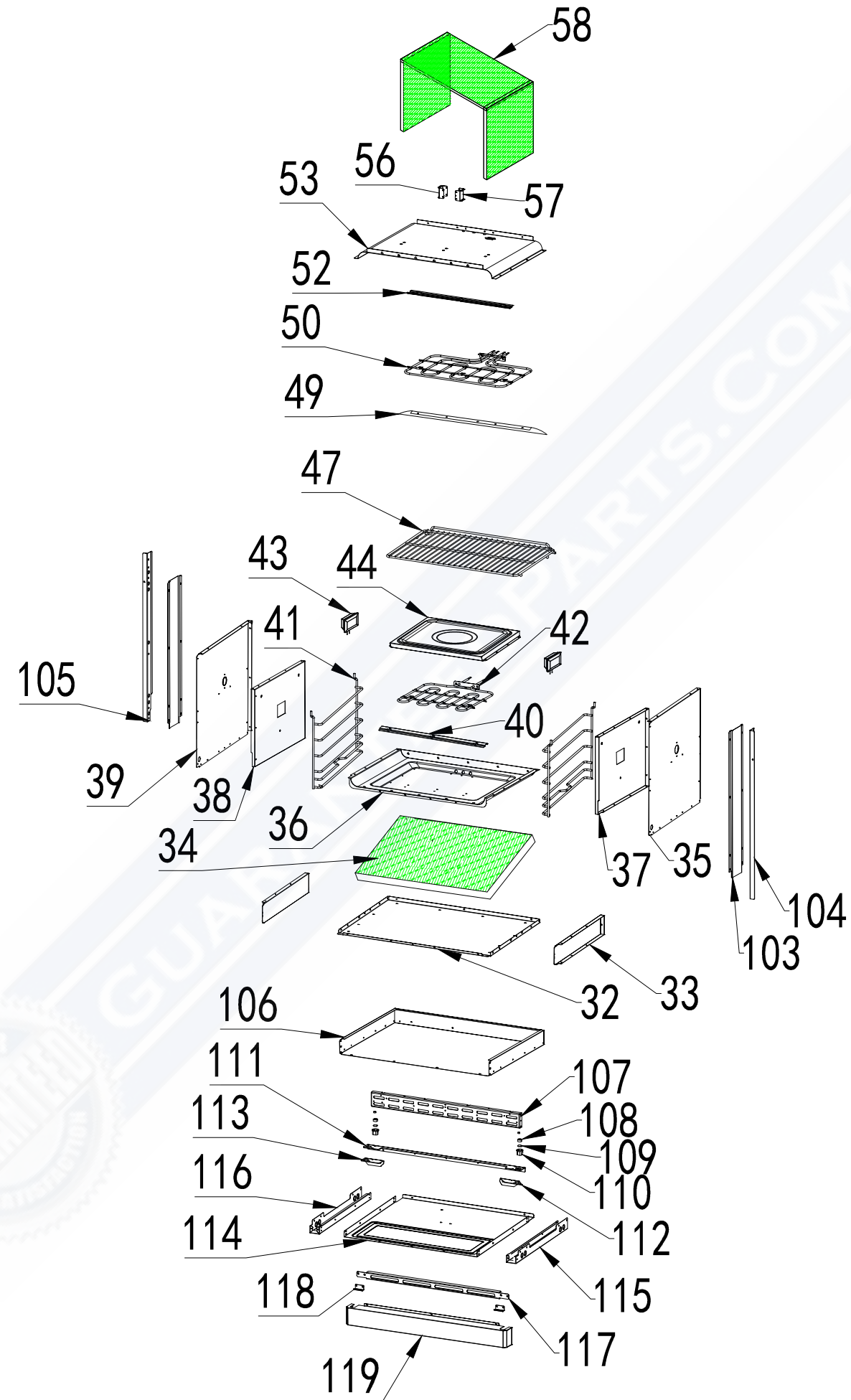
Door



Cavity back



Oven cavity



FBOEL1333-30

No.	Material Name	Material Code	Qty.
1	metal logo	G36R03-020010	1
2	drawer rubber mat	G20A01-120900	4
3	handle rubber mat	G18R43-100700	4
4	Handle strengthen bar	G36R43-100700	2
6	door outside plate-right	G30R43-100401	1
7	Handle right	G18R43-101901	1
8	door outside plate-left	G30R43-100400	1
9	Handle left	G18R43-101900	1
10	door outer glass	G18R43-101900	2
11	supported seal part for right door	G30R44-102100	1
12	seal part for right door	EDCR43-101100	1
13	door insulation plate R	G30R43-100801	1
14	door insulation plate L	G30R43-100800	1
15	supported seal part for left door	G36R43-102000	1
16	seal support for left door	G30R44-101000	1
17	door outer glass fixed part	G36R03-101200	8
18	left/right door outer glass pressing plate	G30R43-101400-02	4
19	door outer glass pressing plate	G30R45-101400-02	4
20	left/right frame body for door inside glass	G36X03-101601	4
21	up/down frame body for door inside glass	G30R43-101500	4
22	inner door glass	G30R43-100500	2
23	inner door LOW-E glass	G30R43-100501	2
24	glass wool for door	G30R43-103500	2
25	axis of rotation component right	EDCR43-101301-Z	1
26	Door frame right	G30R43-100601-Z	1
27	Door frame left	G30R43-100600-Z	1
28	axis of rotation component left	EDCR43-101300-Z	1
29	door seal bar	G48R03-071200	1
30	30" front panel	EDCR43-070103	1
32	cavity down bottom plate	EDCR43-071800	1
33	cavity down side plate	EDCR43-070400	2
34	30" cavity bottom plate glass wool-X01	G30X01-036000	1
35	right outside plate	EDCR43-071101	1
36	cavity down plate	C30X03-070705	1
37	cavity top right side plate	G36X04-070516	1
38	cavity top left side plate	G36X04-070517	1
39	left outside plate	EDCR43-071100	1
40	heat element cushion plate	C30X04-080600	1

41	side rack	G36X03-073800	2
42	oven bottom heat element	EDCR43-091200	1
43	Oven lamp-square shape	G36X04-180100	2
44	oil baffle plate	EDCR43-215101	1
47	30"rack	G30X03-071900	2
49	30"front panel strip	G30X03-214501	1
50	broil heat element	EDCR43-091000	1
52	heat element cushion plate	C36X04-080600	1
53	cavity top plate component	EDCR43-070601-Z	1
56	chimney outer plate	EDCR43-365200	1
57	chimney inside plate	EDCR43-365100	1
58	cavity structure frame glass wool	EDCR43-070800	1
59	metal press button	EDCR43-170200	1
61	knob for oven function	EDCR43-030101	1
62	knob for thermostat	EDCR43-030100	1
63	knob ring	G36R03-030201	2
64	red LED light	EDCR44-031000-7	1
65	control panel	EDCR43-030302	1
66	potentiometer fixed part	EDCR43-100700	1
67	potentiometer support	EDCR43-190500	1
71	display glass for sous vide function	E30E03-030301	1
72	door top connection plate	EDCR43-022200	1
73	Door top connection plate with hole	EDCR43-022300	1
74	Copper bush	G36R43-130100	2
75	cavity top insulation plate	ESCR43-074500	1
76	cooling fan support	EDCR43-075300	1
77	chimney baffle plate	EDCR43-074400	1
78	Thermo-controller 50	C36R05-076200	1
79	Thermo-controller 140	EDCR43-076200	1
80	control panel cover	EDCR43-074900	1
81	cavity top isolation plate	EDCR43-074800	1
82	control system	ESCR43-030900	1
83	power cord terminal	E20F01-106400	1
84	power cord	EDCR43-160100	1
85	control panel installation board	EDCR43-075000	1
86	wires for single wall oven-low end	ESCR43-180300	1
87	PCB support part	EDCR43-073000	1
89	cooling fan	EDCR43-200900	1
90	cavity top insulation plate strengthen part	EDCR43-074700	2
93	down air guide plate	ESCR44-075600	1

94	cavity top baffle plate	ESCR44-072000	1
95	cavity back insulation plate	ESCR43-072201	1
96	cavity back plate glass wool	EDCR43-072900	1
97	cavity back	EDCR43-070300	1
98	fan motor cover	G20H08-091700	1
99	fan motor baffle plate	C36A01-073100	1
100	back heat element	C20A01-091602	1
101	fan motor	G20A01-091501	1
103	outside fixed part	ESCR44-071200	2
104	installation fixed part left	ESCR44-214500	1
105	installation fixed part right	ESCR44-214501	1
106	cavity down insulation plate	ESCR44-074500	1
107	cavity top strengthen beam	EDCR43-022100	1
108	rotate axis coat	G36R43-002200	2
109	rubber mat	G36R43-002300	2
110	adjustable bottom base	G36R43-002100	2
111	door downside connection plate	ESCR44-985600	1
112	bottom rotate fixed part right	EDCR43-032101	1
113	bottom rotate fixed part left	EDCR43-032100	1
114	bottom plate connection part	EDCR43-200800	1
115	bottom plate support R	EDCR43-071001	1
116	bottom plate support L	EDCR43-071000	1
117	down decoration strengthen support	ESCR44-120200	1
118	down decoration fixed part	ESCR44-120300	2
119	top decoration plate	ESCR44-120100	1



GUARANTEE

COM